



brightline®

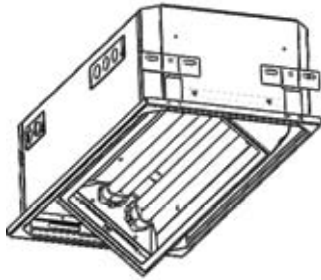
MSRP List
February 1, 2009



Mini-T 1-ft x 2-ft Rotating-Carriage Fixture

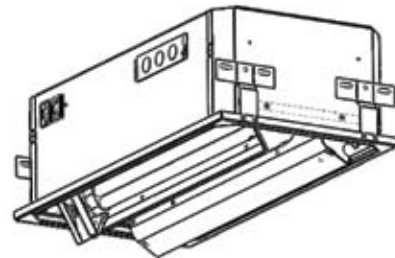
Videoconference fixture that fits in half-sized T-Bar ceiling-tile opening. Several lamp-configuration options within a rotating carriage. Available with multiple ballast and voltage options.

Two-Lamp Carriage



T02N1-R-ISMM	\$ 625.00
T02N7-R-ISMM	\$ 625.00
T02P1-R-ISMM	\$ 850.00
T02P7-R-ISMM	\$ 850.00
T02X1-R-ISMM	\$ 875.00
T02X7-R-ISMM	\$ 875.00

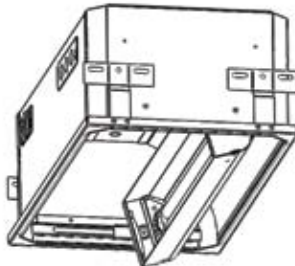
Dual One-Lamp Carriages



T11N1-R-ISMM	\$ 775.00
T11N7-R-ISMM	\$ 775.00
T11P1-R-ISMM	\$ 1,225.00
T11P7-R-ISMM	\$ 1,225.00
T11X1-R-ISMM	\$ 1,275.00
T11X7-R-ISMM	\$ 1,275.00

(two discreet control channels or two phase circuits)

One-Lamp Carriage



T01N1-R-ISMM	\$ 600.00
T01N7-R-ISMM	\$ 600.00
T01P1-R-ISMM	\$ 825.00
T01P7-R-ISMM	\$ 825.00
T01X1-R-ISMM	\$ 850.00
T01X7-R-ISMM	\$ 850.00

* Motorized Articulation and Perforated Panels available POA *

Example: T02X1-R-ISMM

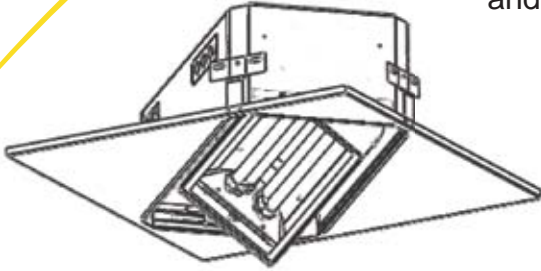
T						MM		
T-Series	Lamp Carriage	Ballast Type	Voltage	Articulation	Panel Size & Style	Mounting Style	Color Finish Option	
	01 = 1 One-Lamp Carriage	A = Analog	1 = 120V	R = Rotate	I = Inch Panel	S = Solid Panel	MM = Mini-T	CF = Custom Finish (optional)
	11 = 2 One-Lamp Carriages	E = EcoSystem	7 = 277V	D = Drop-Pan-Tilt		P = Perforated Panel	CM = Center Mount	
	02 = 1 Two-Lamp Carriage	N = Non-Dim		M = Motorized Rotate			OM = Offset Mount	
	00 = Two-Lamp Task Fixture	P = Phase		T = Task			45 = 45° Diagonal Mount	Custom Color Finish Available for \$100.00/ Fixture
		X = DALI						



45° Diagonal 2-ft x 2-ft Rotating-Carriage Fixture

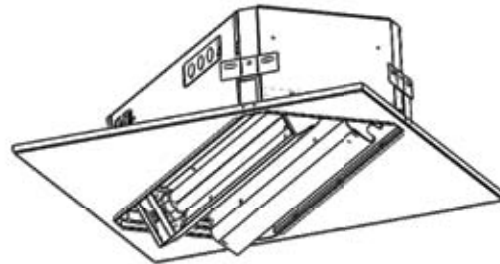
Videoconference fixture that fits in full-sized T-Bar ceiling-tile opening. Several lamp-configuration options within a rotating carriage. Available with multiple ballast and voltage options.

Two-Lamp Carriage



T02N1-R-IS45	\$ 650.00
T02N7-R-IS45	\$ 650.00
T02P1-R-IS45	\$ 875.00
T02P7-R-IS45	\$ 875.00
T02X1-R-IS45	\$ 900.00
T02X7-R-IS45	\$ 900.00

Dual One-Lamp Carriages



T11N1-R-IS45	\$ 800.00
T11N7-R-IS45	\$ 800.00
T11P1-R-IS45	\$ 1,250.00
T11P7-R-IS45	\$ 1,250.00
T11X1-R-IS45	\$ 1,300.00
T11X7-R-IS45	\$ 1,300.00

(two discreet control channels or two phase circuits)

One-Lamp Carriage



T01N1-R-IS45	\$ 625.00
T01N7-R-IS45	\$ 625.00
T01P1-R-IS45	\$ 850.00
T01P7-R-IS45	\$ 850.00
T01X1-R-IS45	\$ 875.00
T01X7-R-IS45	\$ 875.00

* Motorized Articulation and Perforated Panels available POA *

Example: T02X1-R-IS45

T						4	5		
T-Series	Lamp Carriage	Ballast Type	Voltage	Articulation	Panel Size & Style	Mounting Style		Color Finish Option	
	01 = 1 One-Lamp Carriage	A = Analog	1 = 120V	R = Rotate	I = Inch Panel	S = Solid Panel	MM = Mini-T	CF = Custom Finish (optional)	
	11 = 2 One-Lamp Carriages	E = EcoSystem	7 = 277V	D = Drop-Pan-Tilt		P = Perforated Panel	CM = Center Mount		
	02 = 1 Two-Lamp Carriage	N = Non-Dim		M = Motorized Rotate			OM = Offset Mount		
	00 = Two-Lamp Task Fixture	P = Phase		T = Task			45 = 45° Diagonal Mount		
		X = DALI						Custom Color Finish Available for \$100.00/ Fixture	



Center-Mount 2-ft x 2-ft Rotating-Carriage Fixture

Videoconference fixture that fits in full-sized T-Bar ceiling-tile opening. Several lamp-configuration options within a rotating carriage. Available with multiple ballast and voltage options.

Two-Lamp Carriage



T02N1-R-ISCM	\$ 650.00
T02N7-R-ISCM	\$ 650.00
T02P1-R-ISCM	\$ 875.00
T02P7-R-ISCM	\$ 875.00
T02X1-R-ISCM	\$ 900.00
T02X7-R-ISCM	\$ 900.00

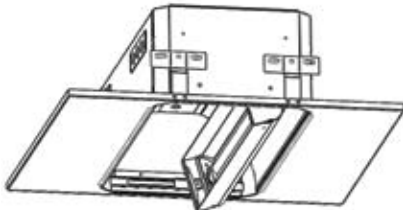
Dual One-Lamp Carriages



T11N1-R-ISCM	\$ 800.00
T11N7-R-ISCM	\$ 800.00
T11P1-R-ISCM	\$ 1,250.00
T11P7-R-ISCM	\$ 1,250.00
T11X1-R-ISCM	\$ 1,300.00
T11X7-R-ISCM	\$ 1,300.00

(two discreet control channels or two phase circuits)

One-Lamp Carriage



T01N1-R-ISCM	\$ 625.00
T01N7-R-ISCM	\$ 625.00
T01P1-R-ISCM	\$ 850.00
T01P7-R-ISCM	\$ 850.00
T01X1-R-ISCM	\$ 875.00
T01X7-R-ISCM	\$ 875.00

* Motorized Articulation and Perforated Panels available POA *

Example: T02X1-R-ISCM

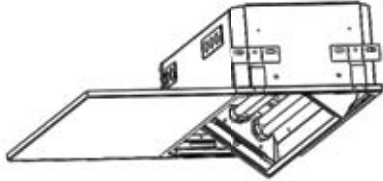
T						CM	
T-Series	Lamp Carriage	Ballast Type	Voltage	Articulation	Panel Size & Style	Mounting Style	Color Finish Option
	01 = 1 One-Lamp Carriage	A = Analog	1 = 120V	R = Rotate	I = Inch Panel	MM = Mini-T	CF = Custom Finish (optional)
	11 = 2 One-Lamp Carriages	E = EcoSystem	7 = 277V	D = Drop-Pan-Tilt	S = Solid Panel	CM = Center Mount	
	02 = 1 Two-Lamp Carriage	N = Non-Dim		M = Motorized Rotate	P = Perforated Panel	OM = Offset Mount	
	00 = Two-Lamp Task Fixture	P = Phase		T = Task		45 = 45° Diagonal Mount	
		X = DALI					Custom Color Finish Available for \$100.00/ Fixture



Offset-Mount 2-ft x 2-ft Rotating-Carriage Fixture

Videoconference fixture that fits in full-sized T-Bar ceiling-tile opening. Several lamp-configuration options within a rotating carriage. Available with multiple ballast and voltage options.

Two-Lamp Carriage



T02N1-R-ISOM	\$ 650.00
T02N7-R-ISOM	\$ 650.00
T02P1-R-ISOM	\$ 875.00
T02P7-R-ISOM	\$ 875.00
T02X1-R-ISOM	\$ 900.00
T02X7-R-ISOM	\$ 900.00

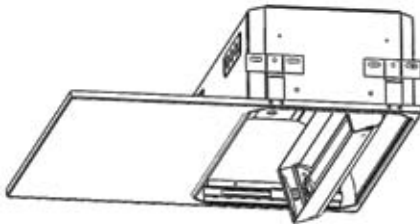
Dual One-Lamp Carriages



T11N1-R-ISOM	\$ 800.00
T11N7-R-ISOM	\$ 800.00
T11P1-R-ISOM	\$ 1,250.00
T11P7-R-ISOM	\$ 1,250.00
T11X1-R-ISOM	\$ 1,300.00
T11X7-R-ISOM	\$ 1,300.00

(two discreet control channels or two phase circuits)

One-Lamp Carriage



T01N1-R-ISOM	\$ 625.00
T01N7-R-ISOM	\$ 625.00
T01P1-R-ISOM	\$ 850.00
T01P7-R-ISOM	\$ 850.00
T01X1-R-ISOM	\$ 875.00
T01X7-R-ISOM	\$ 875.00

* Motorized Articulation and Perforated Panels available POA *

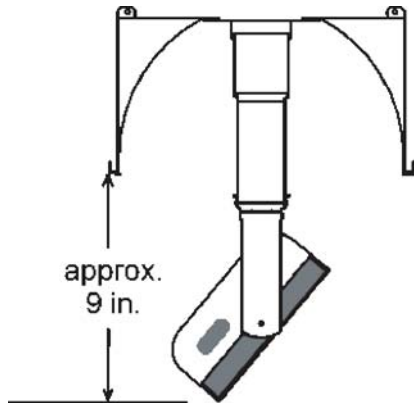
Example: T02X1-R-ISOM

T						OM	
T-Series	Lamp Carriage	Ballast Type	Voltage	Articulation	Panel Size & Style	Mounting Style	Color Finish Option
	01 = 1 One-Lamp Carriage	A = Analog	1 = 120V	R = Rotate	I = Inch Panel	MM = Mini-T	CF = Custom Finish (optional)
	11 = 2 One-Lamp Carriages	E = EcoSystem	7 = 277V	D = Drop-Pan-Tilt	S = Solid Panel	CM = Center Mount	
	02 = 1 Two-Lamp Carriage	N = Non-Dim		M = Motorized Rotate	P = Perforated Panel	OM = Offset Mount	
	00 = Two-Lamp Task Fixture	P = Phase		T = Task		45 = 45° Diagonal Mount	
		X = DALI					Custom Color Finish Available for \$100.00/Fixture



Drop-Pan-Tilt Articulating Fixture

Multi-purpose fixture that fits in full-sized T-bar ceiling-tile opening. Carriage can drop below ceiling plane 9 inches and both pan (360 degrees) and tilt (180 degrees). Available with multiple ballast and voltage options.



T-Series Mini-Mount Fixture

T02N1-D-ISMM	\$ 750.00
T02N7-D-ISMM	\$ 750.00
T02P1-D-ISMM	\$ 975.00
T02P7-D-ISMM	\$ 975.00
T02X1-D-ISMM	\$ 1,000.00
T02X7-D-ISMM	\$ 1,000.00

T-Series Center-Mount Fixture

T02N1-D-ISCM	\$ 775.00
T02N7-D-ISCM	\$ 775.00
T02P1-D-ISCM	\$ 1,000.00
T02P7-D-ISCM	\$ 1,000.00
T02X1-D-ISCM	\$ 1,025.00
T02X7-D-ISCM	\$ 1,025.00

T-Series Offset-Mount Fixture

T02N1-D-ISOM	\$ 775.00
T02N7-D-ISOM	\$ 775.00
T02P1-D-ISOM	\$ 1,000.00
T02P7-D-ISOM	\$ 1,000.00
T02X1-D-ISOM	\$ 1,025.00
T02X7-D-ISOM	\$ 1,025.00

T-Series 45-Degree Fixture

T02N1-D-IS45	\$ 775.00
T02N7-D-IS45	\$ 775.00
T02P1-D-IS45	\$ 1,000.00
T02P7-D-IS45	\$ 1,000.00
T02X1-D-IS45	\$ 1,025.00
T02X7-D-IS45	\$ 1,025.00

Example: T02X1-D-ISCM

T				D					
T-Series	Lamp Carriage	Ballast Type	Voltage	Articulation	Panel Size & Style	Mounting Style	Color Finish Option		
	01 = 1 One-Lamp Carriage 02 = 1 Two-Lamp Carriage	A = Analog E = EcoSystem N = Non-Dim P = Phase X = DALI	1 = 120V 7 = 277V	D = Drop-Pan-Tilt	I = Inch Panel S = Solid Panel P = Perforated Panel	MM = Mini-T CM = Center Mount OM = Offset Mount 45 = 45° Diagonal Mount	CF = Custom Finish (optional)		
							Custom Color Finish Available for \$100.00/ Fixture		



Stealth-T Fixtures:

Two-lamp, glare-free videoconference lighting fixtures, ideal for distance-learning and telepresence applications. Available with four louver types: Forward Throw, Corner Throw, Bidirectional Throw, or Downward Throw. Multiple ballast types available.



Forward-Throw Stealth-T Fixtures

	MSRP
ST2N1-24FW-IG	\$ 550.00
ST2X1-24FW-IG	\$ 750.00
ST2P1-24FW-IG	\$ 750.00
ST2E1-24FW-IG	\$ 825.00



Corner-Throw Stealth-T Fixtures

	MSRP
ST2N1-24CA-IG	\$ 550.00
ST2X1-24CA-IG	\$ 750.00
ST2P1-24CA-IG	\$ 750.00
ST2E1-24CA-IG	\$ 825.00



Bidirectional-Throw Stealth-T Fixtures

	MSRP
ST2N1-24BI-IG	\$ 550.00
ST2X1-24BI-IG	\$ 750.00
ST2P1-24BI-IG	\$ 750.00
ST2E1-24BI-IG	\$ 825.00



Downward-Throw Stealth-T Fixtures

	MSRP
ST2N1-24DN-IG	\$ 550.00
ST2X1-24DN-IG	\$ 750.00
ST2P1-24DN-IG	\$ 750.00
ST2E1-24DN-IG	\$ 825.00

ST	2		
Stealth-T	Lamps	Ballast Type	Voltage
	Two Lamps	E = EcoSystem	1 = 120V
		N = Non-Dim	7 = 277V
		P = Phase	
		X = Digital	

Flange Size (inches)		Louver Type	
24 = 24- x 24-in Flange		FW = Forward Throw Louver	
		CA = Corner Throw Louver	
		BI = Bidirectional Throw Louver	
		DN = Downward Throw Louver	

Ceiling Type	
IG = 24-in Lay-In Grid	
DW = Drywall	



SeriesONE 4-Lamp Fixtures

Four-lamp, 220-watt fixture. Includes 12-ft power cord with Edison plug (120V), safety cable, and C-clamp. Control options available: Non-dimmable, Phase dimmable, Rotary dimmable, DALI dimmable, and DMX dimmable. Available with three mounting options: horizontal, vertical, or compact yoke. Choice of two voltage options: 120 VAC or 277 VAC.

Non-Dimmable



S1.4N1-H	\$1,200.00
S1.4N1-V	\$1,230.00
S1.4N1-C	\$1,170.00
S1.4N7-H	\$1,200.00
S1.4N7-V	\$1,230.00
S1.4N7-C	\$1,170.00

Phase-Dimmable



S1.4P1-H	\$1,675.00
S1.4P1-V	\$1,705.00
S1.4P1-C	\$1,645.00
S1.4P7-H	\$1,675.00
S1.4P7-V	\$1,705.00
S1.4P7-C	\$1,645.00

Rotary-Dimmable



S1.4R1-H	\$1,675.00
S1.4R1-V	\$1,705.00
S1.4R1-C	\$1,645.00
S1.4R7-H	\$1,675.00
S1.4R7-V	\$1,705.00
S1.4R7-C	\$1,645.00

DALI-Dimmable



S1.4X1-DLI-H	\$1,675.00
S1.4X1-DLI-V	\$1,705.00
S1.4X1-DLI-C	\$1,645.00
S1.4X7-DLI-H	\$1,675.00
S1.4X7-DLI-V	\$1,705.00
S1.4X7-DLI-C	\$1,645.00

DMX-Dimmable



S1.4X1-DMX-H	\$1,965.00
S1.4X1-DMX-V	\$1,995.00
S1.4X1-DMX-C	\$1,935.00
Two-Channel DMX Option	add \$75.00

Model Number:

Example: S1.4X1-DMX-H

S	1.4		
SeriesONE	Lamps	Control	Voltage
	1.4 = 4-Lamp Fixture	R = Rotary E = ECO System N = Non-Dim P = Phase X = Digital	1 = 120V 7 = 277V

Digital Control		
DMX = DMX Dimmable		
DLI = DALI Dimmable		
* Only use DMX or DLI when using a Digital "X" ballast *		

Yoke
H = Horizontal
V = Vertical
C = Compact

Fixture Finish	
CF = Custom Finish (optional)	
Custom Color Finish Available for \$125.00/ Fixture	



SeriesONE 2-Lamp Fixtures

Two-lamp, 110-watt fixture. Includes 12-ft power cord with Edison plug (120V), safety cable, and C-clamp. Control options available: Non-dimmable, Phase dimmable, Rotary dimmable, DALI dimmable, and DMX dimmable. Available with three mounting options: horizontal, vertical, or compact yoke. Choice of two voltage options: 120 VAC or 277 VAC.



Non-Dimmable

S1.2N1-H	\$1,025.00
S1.2N1-V	\$1,055.00
S1.2N1-C	\$995.00
S1.2N7-H	\$1,025.00
S1.2N7-V	\$1,055.00
S1.2N7-C	\$995.00



Phase-Dimmable

S1.2P1-H	\$1,325.00
S1.2P1-V	\$1,355.00
S1.2P1-C	\$1,295.00
S1.2P7-H	\$1,325.00
S1.2P7-V	\$1,355.00
S1.2P7-C	\$1,295.00



Rotary-Dimmable

S1.2R1-H	\$1,325.00
S1.2R1-V	\$1,355.00
S1.2R1-C	\$1,295.00
S1.2R7-H	\$1,325.00
S1.2R7-V	\$1,355.00
S1.2R7-C	\$1,295.00



DALI-Dimmable

S1.2X1-DLI-H	\$1,325.00
S1.2X1-DLI-V	\$1,355.00
S1.2X1-DLI-C	\$1,295.00
S1.2X7-DLI-H	\$1,325.00
S1.2X7-DLI-V	\$1,355.00
S1.2X7-DLI-C	\$1,295.00

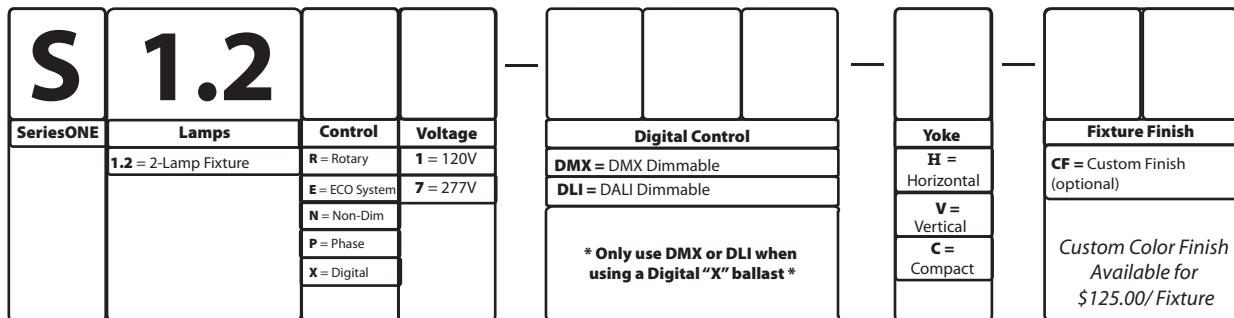


DMX-Dimmable

S1.2X1-DMX-H	\$1,565.00
S1.2X1-DMX-V	\$1,595.00
S1.2X1-DMX-C	\$1,535.00

Model Number:

Example: S1.2X1-DMX-H





SeriesONE 1-Lamp Fixtures

One-lamp, 55-watt fixture. Includes 12-ft power cord with Edison plug (120V), safety cable, and C-clamp. Control options available: Non-dimmable, Phase dimmable, Rotary dimmable, and DALI dimmable. Standard universal mounting yoke. Choice of 2 voltage options: 120 VAC or 277 VAC.

Non-dimmable

S1.1N1	\$750.00
S1.1N7	\$750.00

Phase dimmable

S1.1P1	\$895.00
S1.1P7	\$895.00

DALI dimmable

S1.1X1-DLI	\$895.00
S1.1X7-DLI	\$895.00

Rotary dimmable

S1.1R1	\$895.00
S1.1R7	\$895.00



S1.1 Kits

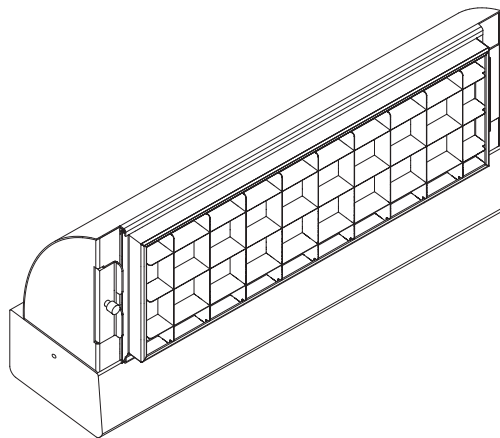
Includes the following: (3) S1.1 fixtures with power cords, universal mounting yokes, and spuds; (2) broad-field control screens; (1) narrow-field control screen; (2) fixture gel frames ; (3) triple-riser stands; (3) Studioline 3200K lamps; (3) Studioline 5600K lamps; (1) universal soft carrying case.

SK1.1N1-3 (Non-Dim, 120 VAC)	\$2,995.00
S1.1P1-3 (Phase dim, 120 VAC)	\$3,495.00
SC-1 (Heavy-duty-nylon padded soft case for transporting Brightline fixtures and accessories)	\$450.00
SC-1/R (Soft Case option: adds pop-up handle and casters)	\$50.00

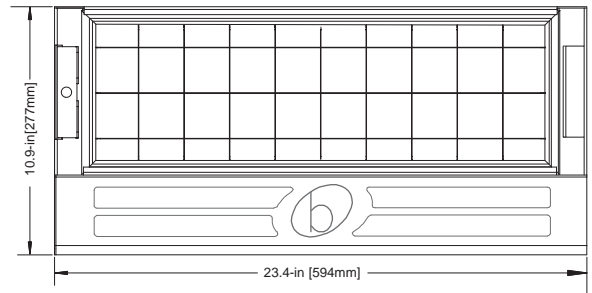
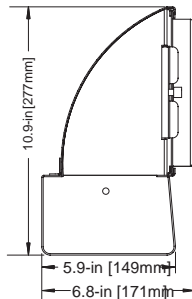


Studio Soft Light 2-Lamp Fixture

Two-lamp, 110-watt fixture. Includes 12-ft power cord with Edison plug (120V), safety cable, and C-clamp. Control options available: Non-dimmable, Phase dimmable, and DMX dimmable. Available with two mounting options: horizontal yoke and stand mount.



SSL-N1	\$1,395.00
SSL-P1	\$1,695.00
SSL-X1-DMX	\$1,995.00



Model Number:

Example: SSLX1-DMX-H

SSL			
	Studio Soft Light	Control	Voltage
		N = Non-Dim	1 = 120V
		P = Phase	7 = 277V
	X = Digital		

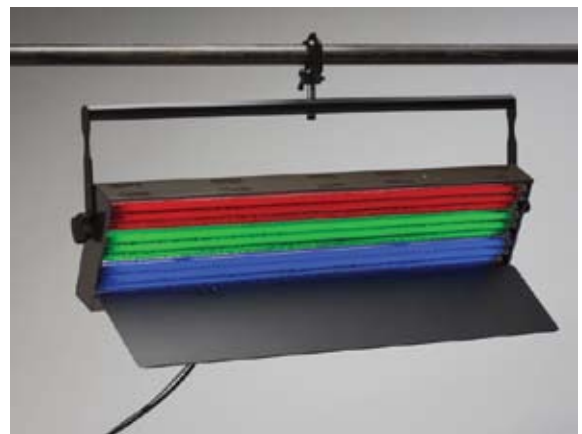
Digital Control Option		
DMX = DMX Dimmable		

Mounting
H = Horizontal Yoke
S = Stand Mount

Fixture Finish	
CF = Custom Finish (optional)	
Custom Color Finish Available for \$125.00/Fixture	



StudioCyc RGB Color-Changing Fixtures



Twelve-Lamp StudioCyc Fixture

4-ft CycSeries, 12-lamp master (X) or remote (R) DMX fixture, 120 VAC. Each fixture supplied with (12) 28-watt, T5 RGB lamps (with RGB sleeves); 12-ft power cord with Edison plug (120V); C-clamp with integral safety cable; and single-leaf barn door. Choice of horizontal or vertical yoke.

SC4.12X-H \$ 3,495.00
SC4.12X-V

SC4.12R-H \$ 2,895.00
SC4.12R-V

Six-Lamp StudioCyc Fixture

4-ft CycSeries, 6-lamp master (X) or remote (R) DMX fixture, 120 VAC. Each fixture supplied with (6) 28-watt, T5 RGB lamps (with RGB sleeves); 12-ft power cord with Edison plug (120V); C-clamp with integral safety cable; and single-leaf barn door. Choice of horizontal or vertical yoke.

SC4.6X-H \$ 2,895.00
SC4.6X-V

SC4.6R-H \$ 2,295.00
SC4.6R-V

Model Number:

SC		
	StudioCyc	Lamp Quantity
	4.12 = Twelve Lamp	X = Master
	4.6 = Six Lamp	R = Remote

Example: SC4.12X-H

H = Horizontal Yoke	CF = Custom Finish (optional)
V = Vertical Yoke	C = Compact Yoke
Custom Color Finish Available for \$125.00/Fixture	



SeriesTWO Color-Changing Fixtures



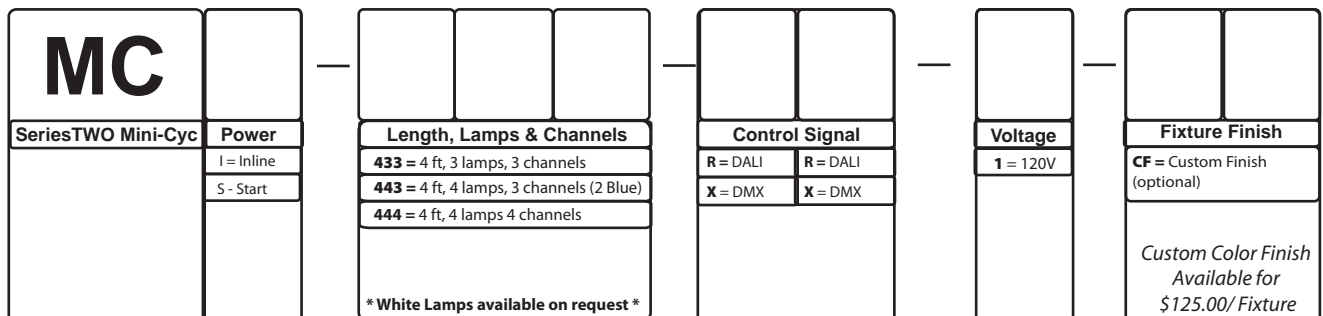
Model	Description	List Price
MCI433-RR-1 MCS433-RR-1	46-in in-line (I) or start (S) fixture, white finish, 3 individually dimmable RGB T-5 lamps with RGB sleeves; uses a DALI control signal in & out. Available in 120 VAC.	\$ 1,095.00
MCI433-XR-1 MCS433-XR-1	46-in in-line (I) or start (S) fixture, white finish, 3 individually dimmable RGB T-5 lamps with RGB sleeves; uses a DMX control signal in & DALI out. Available in 120 VAC.	\$ 1,695.00
MCI443-RR-1 MCS443-RR-1	46-in in-line (I) or start (S) fixture, white finish, 4 RGB T-5 lamps with RGB sleeves (2 individually dimmable and 2 linked together); uses a DALI control signal in & out. Available in 120 VAC.	\$ 1,195.00
MCI443-XR-1 MCS443-XR-1	46-in in-line (I) or start (S) fixture, white finish, 4 RGB T-5 lamps with RGB sleeves (2 individually dimmable and 2 linked together); uses a DMX control signal in & DALI out. Available in 120 VAC.	\$ 1,795.00
MCI444-RR-1 MCS444-RR-1	46-in in-line (I) or start (S) fixture, white finish, 4 individually dimmable RGB T-5 lamps with RGB sleeves; uses a DALI control signal in & out. Available in 120 VAC.	\$ 1,395.00
MCI444-XR-1 MCS444-XR-1	46-in in-line (I) or start (S) fixture, white finish, 4 individually dimmable RGB T-5 lamps with RGB sleeves; uses a DMX control signal in & DALI out. Available in 120 VAC.	\$ 1,995.00

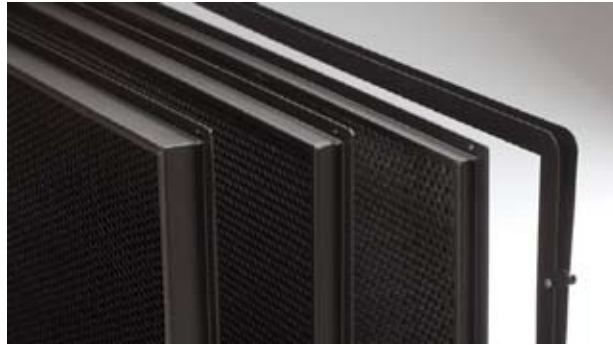
Lamps

009-T528W025-P	4-ft, 28-watt, red-phosphor lamp with polycarbonate sleeve	\$ 32.00
009-T528W121-P	4-ft, 28-watt, green-phosphor lamp with polycarbonate sleeve	\$ 32.00
009-T528W079-P	4-ft, 28-watt, blue-phosphor lamp with polycarbonate sleeve	\$ 32.00
009-T528W830	4-ft, 28-watt, 3000K tri-phosphor white lamp	\$ 32.00
009-T528W840	4-ft, 28-watt, 4000K tri-phosphor white lamp	\$ 32.00

High-output 54-watt version available POA

Model Number:



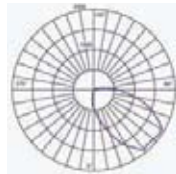


SeriesONE Two- and Four-Lamp Fixture Accessories

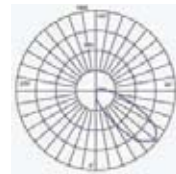
GF-1	Fixture-mounted gel frame for S1.2 and S1.4	\$ 65.00
FIX-1/CS-BF	Fixture-mounted control screen for S1.2 and S1.4 - Broad Field	\$ 110.00
FIX-1/CS-MF	Fixture-mounted control screen for S1.2 and S1.4 - Medium field	\$ 125.00
FIX-1/CS-NF	Fixture-mounted control screen for S1.2 and S1.4 - Narrow field	\$ 140.00
SN-1	Snoot for S1.2 and S1.4	\$ 250.00
INT-1	Intensifier for S1.2 and S1.4	\$ 300.00
INT-1/C	Collapsible intensifier for S1.2 and S1.4	\$ 325.00
GF-INT	Gel frame for S1.2 and S1.4 intensifier	\$ 85.00
INT-1/CS-BF	Intensifier-mounted control screen - Broad field	\$ 160.00
INT-1/CS-MF	Intensifier-mounted control screen - Medium field	\$ 190.00
INT-1/CS-NF	Intensifier-mounted control screen - Narrow field	\$ 220.00

SeriesONE One-Lamp Fixture Accessories

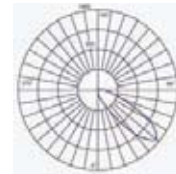
GF-1.1	Fixture-mounted gel frame for S1.1	\$ 55.00
FIX-1.1/CS-BF	Fixture-mounted control screen for S1.1 - Broad field	\$ 100.00
FIX-1.1/CS-MF	Fixture-mounted control screen for S1.1 - Medium field	\$ 115.00
FIX-1.1/CS-NF	Fixture-mounted control screen for S1.1 - Narrow field	\$ 130.00
INT-1.1	Intensifier for S1.1	\$ 275.00
GF-INT-1.1	Gel frame for S1.1 intensifier	\$ 65.00



Broad-Field Screen



Medium-Field Screen



Narrow-Field Screen

T-Series Fixture Accessories

FIX-T01/CS-BF	T01 fixture 1-lamp, broad-field screen	\$ 30.00
FIX-T01/CS-MF	T01 fixture 1-lamp, medium-field screen	\$ 35.00
FIX-T01/CS-NF	T01 fixture 1-lamp, narrow-field screen	\$ 40.00
FIX-T01/LENS	T01 fixture 1-lamp, prismatic lens	\$ 25.00
FIX-T02/CS-BF	T02 fixture 2-lamp, broad-field screen	\$ 45.00
FIX-T02/CS-MF	T02 fixture 2-lamp, medium-field screen	\$ 55.00
FIX-T02/CS-NF	T02 fixture 2-lamp, narrow-field screen	\$ 65.00
FIX-T02/LENS	T02 fixture 2-lamp, prismatic lens	\$ 40.00
FIX-T01/GR-FILTER	T01 fixture 1-lamp, glare-reduction filter	\$ 10.00
FIX-T02/GR-FILTER	T02 fixture 2-lamp, glare-reduction filter	\$ 15.00

Lamps

009-55W30K82	Lamp(s), 55 watt, DL Lamp, 3000K, 82 CRI	\$ 15.00
009-55W30K96	Lamp(s), 55 watt, DL Lamp, 3000K, 96 CRI	\$ 15.00
009-55W35K82	Lamp(s), 55 watt, 3500K, 82 CRI	\$ 15.00
009-55W41K82	Lamp(s), 55 watt, 4100K, 82 CRI	\$ 15.00
009-55W50K98	Lamp(s), DL Lamp, 5000K, 98 CRI	\$ 15.00
009-55W32KSP	Lamp(s), Studioline, 55 watt, 3200K	\$ 25.00
009-55W56KSP	Lamp(s), Studioline, 55 watt, 5600K	\$ 25.00
009-55W32KHR	Lamp(s), high rendering, 55 watt, 3200K, 95 CRI	\$ 25.00
009-55W56KHR	Lamp(s), high rendering, 55 watt, 5600K, 95 CRI	\$ 25.00



BUSMASTER-1, RS-232 to DALI interface



Two S1.4 fixtures in a Double Header Rack



4- x 1200-Watt Grid Mounted Dimmer Pack

DMX Cables

MTX-5	5-ft DMX control cable with male and female 5-pin connectors	\$ 70.00
MTX-10	10-ft DMX control cable with male and female 5-pin connectors	\$ 75.00
MTX-15	15-ft DMX control cable with male and female 5-pin connectors	\$ 80.00
MTX-25	25-ft DMX control cable with male and female 5-pin connectors	\$ 90.00
MTX-50	50-ft DMX control cable with male and female 5-pin connectors	\$ 120.00
MTX-75	75-ft DMX control cable with male and female 5-pin connectors	\$ 145.00
MTX-100	100-ft DMX control cable with male and female 5-pin connectors	\$ 175.00

DALI Cables

DTX-5	5-ft DALI control cable with male and female 3-pin XLR connectors	\$ 25.00
DTX-15	15-ft DALI control cable with male and female 3-pin XLR connectors	\$ 35.00
DTX-25	25-ft DALI control cable with male and female 3-pin XLR connectors	\$ 45.00
DTX-50	50-ft DALI control cable with male and female 3-pin XLR connectors	\$ 65.00
DTX-100	100-ft DALI control cable with male and female 3-pin XLR connectors	\$ 120.00
DTX-25/BL-F	25-ft DALI control cable with female 3-pin XLR connector to bare leads	\$ 35.00
DTX-50/BL-F	50-ft DALI control cable with female 3-pin XLR connector to bare leads	\$ 60.00
DTX-100/BL-F	100-ft DALI control cable with female 3-pin XLR connector to bare leads	\$ 110.00

Power and Control-Signal Distribution

4C-D/DMX-L-BX	4-channel distribution box DMX-DALI with XLR-3F connectors out, 120 VAC	\$ 895.00
4C-D/DMX-L7-BX	4-channel DMX-DALI, 5-pin with 7-pin CTX connector out, 120 VAC	\$ 895.00
4x1200W Dim Pack	4-channel dimmer pack, 1200W per channel	\$ 895.00
BL-8DMX	8-channel console, DMX out, patchable, pocket console	\$ 735.00
BUSMASTER-1	DALI BusMaster RS-232 to DALI Interface, with 120V power supply and RS-232 cable	\$ 550.00
DCS-8-DALI	DALI pushbutton control station, 4 Groups or 8 Presets, flush mounted single gang	\$ 275.00
DPS-12-DALI	DALI power supply, 100mA, 120V	\$ 150.00
CTX-5	5-ft RGB control cable with male and female 7-pin connectors	\$ 50.00
CTX-15	15-ft RGB control cable with male and female 7-pin connectors	\$ 100.00
CTX-25	25-ft RGB control cable with male and female 7-pin connectors	\$ 150.00

Studio Mounting Options & Grip Equipment

005-100-P	Horizontal-yoke kit, includes horizontal yoke and hardware	\$ 90.00
005-101-P	Vertical-yoke kit, includes vertical yoke, mounting brackets, and hardware	\$ 120.00
005-111-P	Compact-yoke kit, includes compact yoke, mounting brackets, and hardware	\$ 60.00
DH, Rack-H	Horizontal rack for mounting 2 or 3 fixtures together	\$ 595.00
DH, Rack-V	Vertical rack for mounting 2 or 3 fixtures together	\$ 595.00
016-112-P	1- to 2-ft adjustable hanger, lightweight, black finish, with stirrup	\$ 130.00
016-113-P	2- to 4-ft adjustable hanger, lightweight, black finish, with stirrup	\$ 140.00
016-114-P	3- to 6-ft adjustable hanger, lightweight, black finish, with stirrup	\$ 150.00
016-115-P	4- to 8-ft adjustable hanger, lightweight, black finish, with stirrup	\$ 160.00
016-204	Kit stand, triple riser, stackable, with 5/8-in (baby) pin	\$ 120.00
016-100-P	Option for spud (TVMP adapter) with yoke notch	\$ 45.00
023-107-P	Option for 12-ft power cord with stage-pin plug	\$ 25.00
023-108-P	Option for 12-ft power cord with 20-amp twist-lock (L5-20P) plug	\$ 25.00